

(1) **EU-Type Examination Certificate**
according to Module B Paragraph 6.1 of PPE Regulation (EU) 2016/425

(2) Regulation of the European Parliament and of the Council of 9 March 2016 relating to personal protective equipment (PPE) - Regulation (EU) 2016/425

(3) No. of EU-Type Examination Certificate: **ZP/B168/21** replaces ZP/B051/20

(4) Product: **Guided type fall arrester including a rigid anchor line**
Type: **GÜFA**

(5) Manufacturer: **MUNK GmbH**

(6) Address: **Rudolf-Diesel-Straße 23, 89312 Günzburg**

(7) Risk category: **III**

(8) The design and construction of this personal protective equipment and any acceptable variation thereto are specified in the appendix to this EU type-examination certificate.

(9) The certification body of DEKRA Testing and Certification GmbH, Notified Body No. 0158 according to Chapter V of Regulation (EU) 2016/425 of 9 March 2016, certifies that this personal protective equipment has been found to comply with the essential Health and Safety Requirements given in Annex II to the Regulation. The evaluation results are recorded in report PB 20-072 and PB 21-194 Other possibly applicable Union legislations applicable to the specified personal protective equipment have not been taken into account in this EU-type examination certificate.

(10) The essential Health and Safety Requirements are assured in consideration of

DIN EN 353-1:2018

(11) This EU type-examination certificate relates only to the design, examination and tests of the specified personal protective equipment in accordance to Regulation (EU) 2016/425. For category III personal protective equipment, this EU type-examination certificate may only be used in conjunction with one of the conformity assessment procedures referred to Article 19 (c).

(12) When applying the CE Marking according to Article 16 and 17 of Regulation (EU) 2016/425 to the products that conform to the types examined, the client is obliged to add, in accordance with the attached pattern, the identification number of the Notified Body engaged in the conformity assessment according to Module C2 or D.

Furthermore, the manufacturer is obliged to issue an EU declaration of conformity in accordance with Article 15 of Regulation (EU) 2016/425 and to enclose it with the personal protective equipment, or to indicate the Internet address in the manual and in the instructions in Annex II, point 1.4., at which the EU declaration of conformity can be accessed.

(13) This EU-Type Examination Certificate is valid until 2025-07-13

DEKRA Testing and Certification GmbH
Bochum, 2022-02-11

Signed: Kilisch
Managing director

We confirm the correctness of the translation from the German original. In the case of arbitration only the German wording shall be valid and binding.



Managing director

- (14) Appendix to
- (15) **EU-Type Examination Certificate**
ZP/B168/21 replaces ZP/B051/20
- (16) 16.1 Subject and type
Guided type fall arrester including a rigid anchor line
Type: GÜFA

16.2 Description

The guided type fall arrester including a rigid anchor line, type: GÜFA is intended to protect a person against falls from a height at a maximum permitted rated load of 150 kg. The minimum rated load is 50 kg. The rigid anchor line is mounted on appropriate surfaces with sufficient strength.

The rigid anchor line can be fastened to the building structure by means of fasteners (Fig. 5). The distance between the individual fasteners can vary in relation to the system design with a maximum distance of 1.68 m. In addition, the rigid anchor lines can be installed with a maximum inclination of 20° towards the building structure and sideways.

The rigid anchor line (Fig. 6-7) consists of a U-profile with different assembly lengths between 1120 mm and 2800 mm. Galvanized steel, stainless steel or aluminium could be used as material for the rigid anchor line. Optionally, there are more variants of the rigid anchor line in combination with single stile ladders or double stile ladders. Two rigid anchor line profiles are connected by means of an appropriate rail joint (Fig. 12). The ends of the rigid anchor line are respectively equipped with suitable end stops (Fig. 8-10) to prevent unintended overriding.

At its running length the anchor line is provided with rectangular recesses or notches continually at regular intervals. These notches are used to accommodate the safety catches of the guided-type fall arrester.

The guided type fall arrester, type GÜFA 5 (Fig. 3-4) and GÜFA Flexx (Fig. 1-2) run on the rigid anchor line.

The fall arrester of type GÜFA Flexx (Fig. 1-2) is running on the anchor line; a mechanism is in place to remove it from and place it on any given point of the anchor line.

An additional pin is attached to the side of the fall arrester. This prevents that the fall arrester together with the end stop (Fig. 8-10) at the lower end can only be placed in the direction of attachment. The base of the fall arrester bears a safety catch; to this catch an eyelet is connected for the energy absorbing element to which the connector is fastened. The energy absorbing individual part consists of a sewn webbing (w = 25 mm). The connector used is secured by means of a pin.

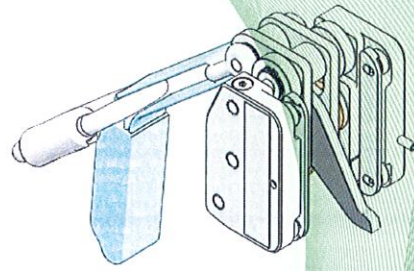
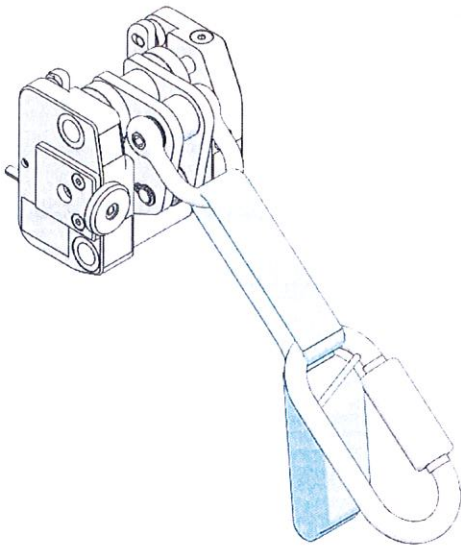


Fig. 1-2: guided type fall arrester, type: GÜFA Flexx

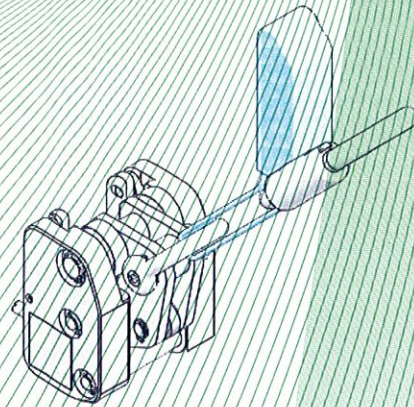
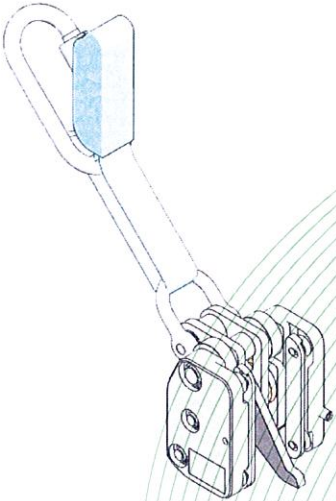


Fig 3-4: guided type fall arrester, type: GÜFA 5

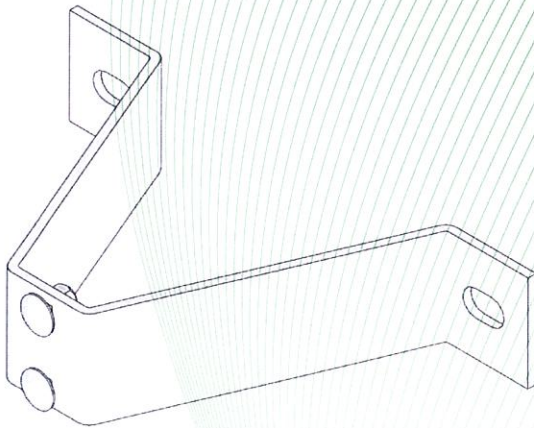


Fig. 5: fastener, type: rigid wall anchor

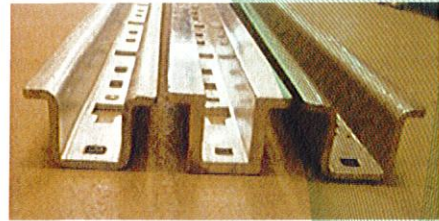
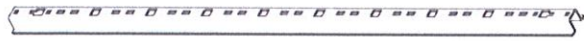


Fig. 6 - 7: profile and material of the rigid anchor line, type: fall arrester rail

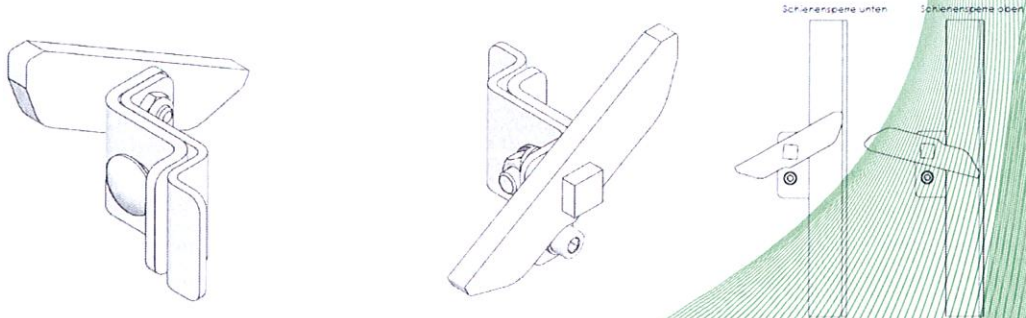


Fig. 8 - 10: end stop A, type: removable rail arrest



Fig. 11: end stop, permanent rail arrest

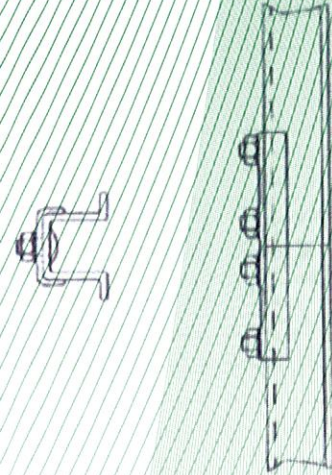


Fig. 12: rail joint, type: rail connector



Fig 13: Single stile ladder with foldable sprouts

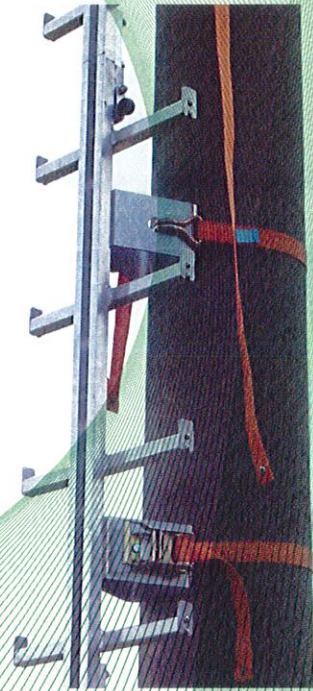


Fig 14: Single stile ladder with lashing straps

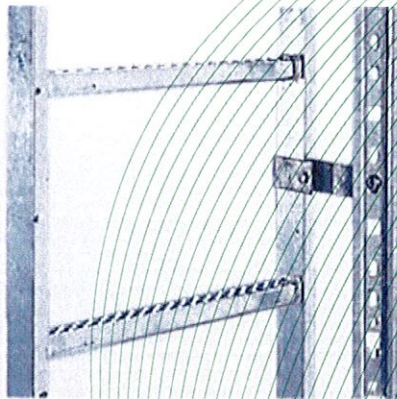


Fig 15: Rigid anchor line mounted laterally at the ladder

(17) Report

PB 20-072, 25.06.2020
PB 21-194, 11.02.2022