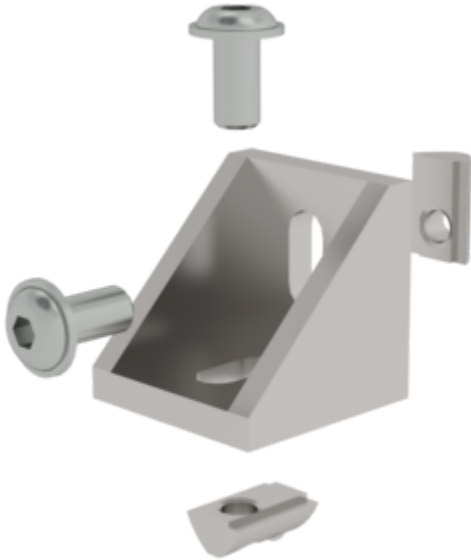


Order no.: 930206

Corner bracket with mounting material



Specification

Connection type Angle connection	Material Die-cast	Groove size 8 mm	Dimension A 40 mm	Dimension B 40 mm
Dimension C 40 mm	Dimension D 5 mm	Order no. 930206		

Facts

- Profile angle for profile 40
- For joining profiles to each other
- Particularly suitable for retrofitting profiles
- Incl. mounting material

Description

The corner bracket is a special profile angle that is particularly suited to joining profiles to each other. Thanks to its design, it is also very easy to retrofit. The mounting material is included with the corner brackets, making the brackets immediately ready for use.

Scope of supply

- Corner bracket: 1 x
- Slot nut: 2 x
- Pan head screw: 2 x

Information on sustainability criteria

- Corporate certification: ISO 9001
- Corporate certification: ISO 14001
- Corporate certification: EN 1090
- Corporate certification: EcoVadis
- RoHS
- REACH
- The MUNK Group complies with a Code of Conduct
- The Supply Chain Act does not apply due to our size
- The materials used are listed in the technical specification
- Resource-saving production: own photovoltaic systems
- Energy-efficient consumption during production: LED lighting
- Repairability, durability and quality: 15-year warranty on series products made in Germany
- Recyclability: Our products are mostly made of aluminium, steel or wood and can be fed directly into the recycling process.
- Socially acceptable working conditions in production: fair wages, gender equality
- Economical and recyclable packaging: no use of polystyrene, predominantly use of wood and cardboard, small amounts of plastic
- No health hazards for the users

More product pictures

Corporate certifications

on sustainability criteria



Management System
ISO 9001:2015
ISO 14001:2015
www.tuv.com
ID 9108612548



Nachhaltigkeit
EcoVadis
sustainable supply management
CSR-Rating in Silber 2022

